

**ebm-papst St. Georgen GmbH & Co. KG**

Hermann-Papst-Str. 1
 D-78112 St. Georgen
 Phone +49 (0) 7724 81-0
 Fax +49 (0) 7724 81-1309
 info2@de.ebmpapst.com
 www.ebmpapst.com

Nominal data

Type	AC 6200 NM	
Nominal voltage range	VAC	85 .. 265
Frequency	Hz	50/60
Speed (rpm)	min ⁻¹	2850
Power consumption	W	14
Min. ambient temperature	°C	-20
Max. ambient temperature	°C	70
Air flow	m ³ /h	350
Sound power level	B	5.7
Sound pressure level	dB(A)	50

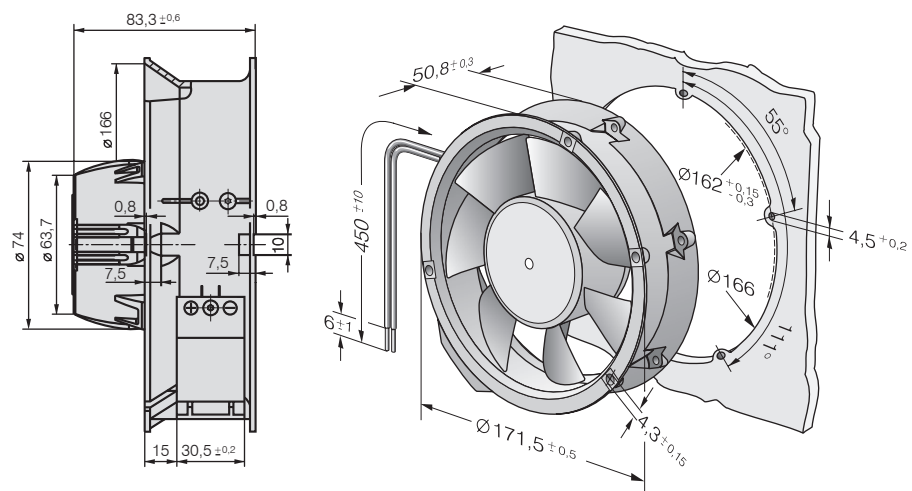
ml = Max. load · me = Max. efficiency · fa = Free air · cs = Customer specification · ce = Customer equipment
 Subject to change



Technical description

General description	Usable with all line voltages between 85 and 265 VAC, 50-60 Hz Housing with grounding lug for M4 x 8 screw (Torx)
Weight	0.900 kg
Dimensions	Ø 172 x 51 mm
Impeller material	Glass-fiber reinforced PA plastic
Housing material	Die-cast aluminum
Airflow direction	Exhaust over struts
Direction of rotation	Counterclockwise, viewed toward rotor
Bearing	Ball bearing
Service life L10 at 40 °C	80000 h
Service life L10 at maximum temperature	40000 h
Cable	With leads AWG 22, TR 64
Motor protection	Protection against reverse polarity and blocked rotor.
Protection class	IP54
Approval	UL, CSA, VDE
Option	Open-loop speed control, sensor and alarm signal; improved moisture protection or degree of protection IP54

Product drawing



Curves

