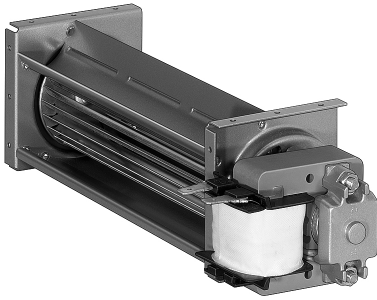


QLN65/0012-2524

AC tangential blower

forward-curved



ebm-papst Landshut GmbH

Hofmark-Aich-Straße 25

D-84030 Landshut

Phone +49 (0) 871 707-0

Fax +49 (0) 871 707-465

info3@de.ebmpapst.com

www.ebmpapst.com

Nominal data

Type	QLN65/0012-2524	
Phase		1~
Nominal voltage	VAC	230
Frequency	Hz	50
Speed (rpm)	min ⁻¹	2000
Power consumption	W	24
Min. ambient temperature	°C	-40
Max. ambient temperature	°C	60
Air flow	m ³ /h	130
Pressure increase	Pa	60

ml = Max. load · me = Max. efficiency · fa = Free air · cs = Customer specification · ce = Customer equipment
Subject to change



QLN65/0012-2524

AC tangential blower

forward-curved

Technical description

Weight

1.05 kg



Product drawing

